

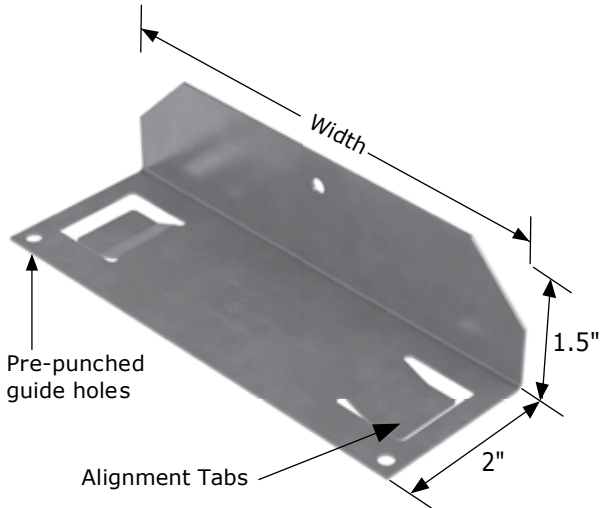
Product Application

The CPLR Crippler Clip® is used to provide a single attachment from your Priceless HD Header® to a cripple stud eliminating the need for installing the oversized track section.

The tabs within the Crippler Clip allow for easy attachment to the header with a simple slide-in-and-twist motion, locking the clip in place. The Crippler Clip also mounts flush with the header, making for clean drywall installation with zero build-up. The use of the Crippler Clip with the Flush Mount Clip provides the industry's only true flush header assembly.

Features and Benefits

- Provides a complete flush header system
- Eliminates track section
- Exposed cavity - insulation can be installed by insulation contractor
- Pre-punched guide holes
- Unique alignment tabs



Quantity / Order Information

Interior Crippler

Part No.	Header Width (in)	Qty / Bucket	Lbs / Bucket
362CPLR-33EQD	3 3/4"	200	15
400CPLR-33EQD	4"	200	17
550CPLR-33EQD	5 1/2"	200	24
600CPLR-33EQD	6"	200	26

Exterior Crippler

Part No.	Header Width (in)	Qty / Bucket	Lbs / Bucket
362CPLR-43EQS	3 3/4"	200	27
400CPLR-43EQS	4"	100	15
550CPLR-43EQS	5 1/2"	100	21
600CPLR-43EQS	6"	100	23
800CPLR-43EQS	8"	100	31

Material Composition

- Mill certified steel
- ASTM A653/A653M
- 33EQD and 43EQS
 - 57 ksi yield strength
 - 65 ksi tensile strength
 - G60 galvanized coating

Quick Installation

