



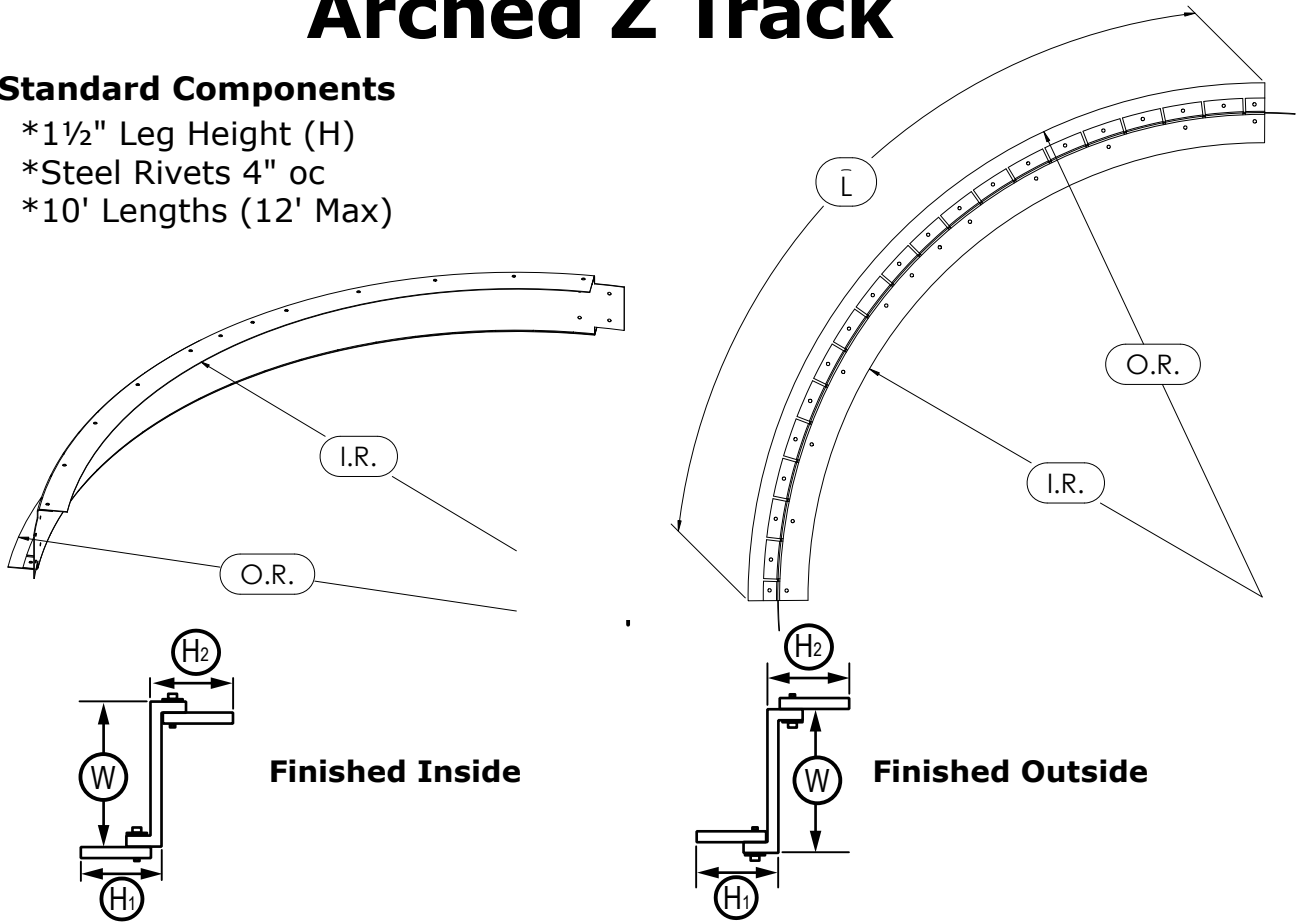
Customer Info

Sold To	Job Name
Contact Name and Number	
Customer PO	Order Number

Arched Z Track

Standard Components

- *1½" Leg Height (H)
- *Steel Rivets 4" oc
- *10' Lengths (12' Max)



Item No.	Finish Side		Welded	No. of Pieces	Thickness (Mil)	Length (L)	Width (W)	Leg Height (H1)	Leg Height (H2)	Inside Radius (IR)	Outside Radius (OR)	Part No. (Office Use)
	Inside	Outside										
1.												
2.												
3.												
4.												
5.												
6.												

Notes / Special Instructions (To assure accuracy, PLEASE provide plan details. For extended service contact TECHNICAL@SCAFCO.com)

Customer Signature	Fax/email this form to your SCAFCO branch or District Sales Manager
--------------------	---