

Product Application

The AC bypass slab secure clip connects an exterior wall stud to the building structure. Depending on the material properties of the structure and the proposed design, the AC secure clip may be attached to the structure with either an approved fastener or a weld. AC secure clips are designed to resist horizontal and vertical loads.

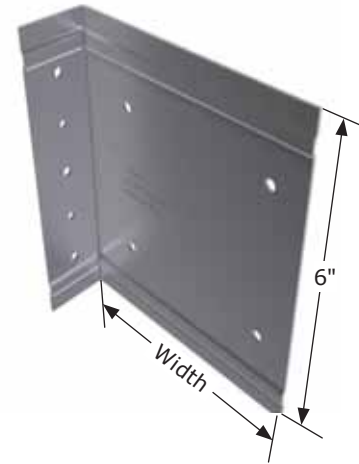
Clips come packaged in durable buckets for convenient handling on the jobsite.

Features and Benefits

- Variety of lengths available
- Ribbed legs for additional strength
- Loads based on #10 screws
 - Screws are provided
- Pre-punched guide holes
- Transfers horizontal load into structure
- Maintains lateral rigidity
- Eliminates bridging within 12" of support connection

Quantity / Order Information

Part No.	Width	Qty / Bucket	Lbs / Bucket
AC250	2 1/2"	100	47
AC350	3 1/2"	50	29
AC550	5 1/2"	50	41
AC750	7 1/2"	50	52
AC950	9 1/2"	35	45

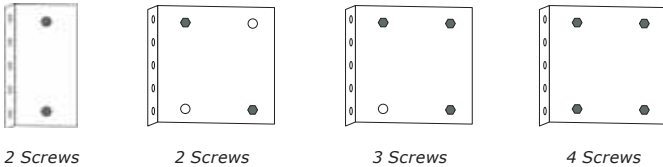


Material Composition

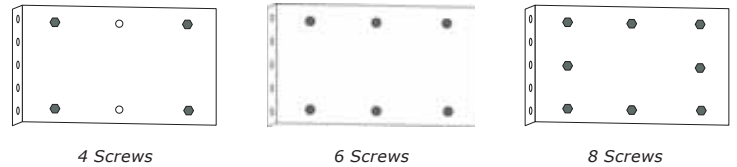
- Mill certified steel
- ASTM A653/A653M
- 68 mil
 - 57 ksi yield strength
 - 65 ksi tensile strength
 - G90 galvanized coating

Screw Pattern Configurations

AC250, AC350, and AC550



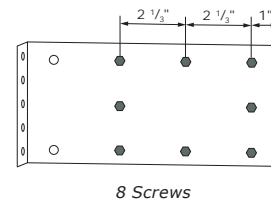
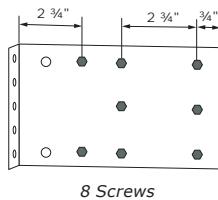
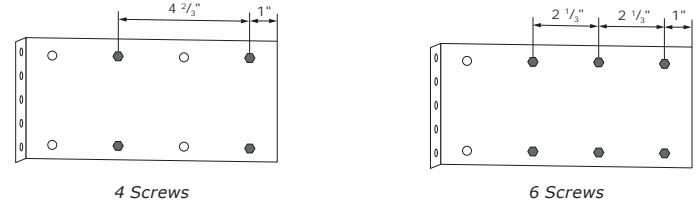
AC750

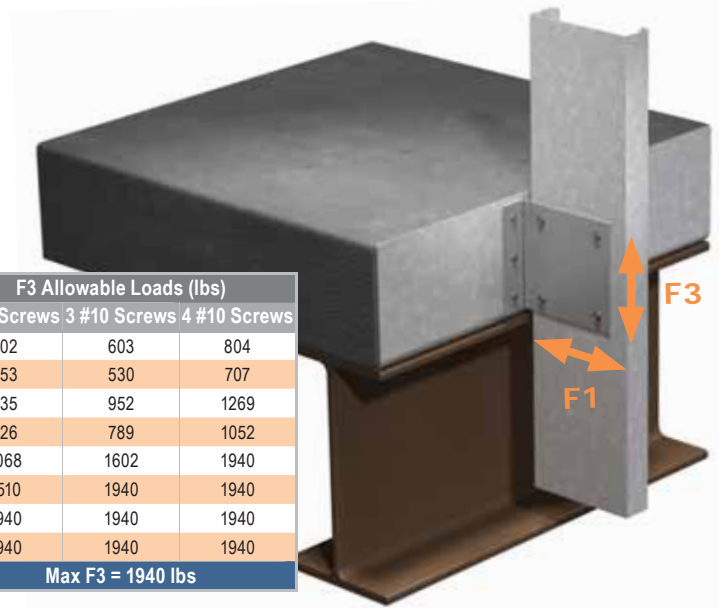


AC750 with 2" offset



AC950 with 2" offset





Part No.	Stud Properties			F1 Allowable Loads (lbs)			F3 Allowable Loads (lbs)		
	Mil	Gauge	Fy (ksi)	2 #10 Screws	3 #10 Screws	4 #10 Screws	2 #10 Screws	3 #10 Screws	4 #10 Screws
AC 250 350 550	33EQS	20	57	402	603	804	402	603	804
	33	20	33	353	530	707	353	530	707
	43EQS	18	57	635	952	1269	635	952	1269
	43	18	33	526	789	1052	526	789	1052
	54	16	50	1068	1602	1940	1068	1602	1940
	68	14	50	1510	1940	1940	1510	1940	1940
	97	12	50	1585	1940	1940	1940	1940	1940
118	10	50	1585	1940	1940	1940	1940	1940	
Maximum Allowable Clip Capacity				Max F1 = 1940 lbs			Max F3 = 1940 lbs		

Part No.	Stud Properties			F1 Allowable Loads (lbs)			F3 Allowable Loads (lbs)		
	Mil	Gauge	Fy (ksi)	4 #10 Screws	6 #10 Screws	8 #10 Screws	4 #10 Screws	6 #10 Screws	8 #10 Screws
AC 750	33EQS	20	57	804	1206	1608	804	1206	1608
	33	20	33	707	1060	1414	707	1060	1414
	43EQS	18	57	1269	1903	1940	1269	1903	1940
	43	18	33	1052	1578	1940	1052	1578	1940
	54	16	50	1940	1940	1940	1940	1940	1940
	68	14	50	1940	1940	1940	1940	1940	1940
	97	12	50	1940	1940	1940	1940	1940	1940
118	10	50	1940	1940	1940	1940	1940	1940	
Maximum Allowable Clip Capacity				Max F1 = 1940 lbs			Max F3 = 1940 lbs		

Part No.	Stud Properties			F1 Allowable Loads (lbs)			F3 Allowable Loads (lbs)		
	Mil	Gauge	Fy (ksi)	4 #10 Screws	6 #10 Screws	8 #10 Screws	4 #10 Screws	6 #10 Screws	8 #10 Screws
AC 750 with 2" offset	33EQS	20	57	804	1206	1550	804	1206	1550
	33	20	33	707	1060	1414	707	1060	1414
	43EQS	18	57	1269	1550	1550	1269	1550	1550
	43	18	33	1052	1550	1550	1052	1550	1550
	54	16	50	1550	1550	1550	1550	1550	1550
	68	14	50	1550	1550	1550	1550	1550	1550
	97	12	50	1550	1550	1550	1550	1550	1550
118	10	50	1550	1550	1550	1550	1550	1550	
Maximum Allowable Clip Capacity				Max F1 = 1550 lbs			Max F3 = 1550 lbs		

Part No.	Stud Properties			F1 Allowable Loads (lbs)			F3 Allowable Loads (lbs)		
	Mil	Gauge	Fy (ksi)	4 #10 Screws	6 #10 Screws	8 #10 Screws	4 #10 Screws	6 #10 Screws	8 #10 Screws
AC 950 with 2" offset	33EQS	20	57	804	1030	1030	804	1030	1030
	33	20	33	707	1030	1030	707	1030	1030
	43EQS	18	57	1030	1030	1030	1030	1030	1030
	43	18	33	1030	1030	1030	1030	1030	1030
	54	16	50	1030	1030	1030	1030	1030	1030
	68	14	50	1030	1030	1030	1030	1030	1030
	97	12	50	1030	1030	1030	1030	1030	1030
118	10	50	1030	1030	1030	1030	1030	1030	
Maximum Allowable Clip Capacity				Max F1 = 1030 lbs			Max F3 = 1030 lbs		

Table Notes

- Allowable loads have not been increased for wind, seismic activity, or other factors.
- The allowable loads are based on the steel properties of the members being connected, per AISI S100.
- The nominal strength of the screw must be at least 3.75 times the allowable loads.
- Penetration of screws through joined materials should not be less than three exposed threads. Install and tighten screws in accordance with the screw manufacturer's recommendations.
- Values include a 3.0 factor of safety.
- Allowable loads indicated on the table(s) are for force in single direction only. The designer shall use the combined forces check as required by AISI S100 if more than one force is applied to the connection.
- The designer shall check the bending in the short leg of clip.