

## Product Application

The BC secure bridge clip attaches the cold rolled channel (CRC) to the stud. These clips resist lateral movement and twisting of studs in a wall assembly. Pre-punched guide holes are provided to accommodate the CRC and stud attachments for strength and installation efficiency. This clip has chamfered corners on one leg to allow for installation on the inside of the stud cavity.

BC clips come packaged in durable buckets for convenient handling on the jobsite.

## Features and Benefits

- Pre-punched guide holes
- No welding or cutting scrap material required
- Loads based on #10 screws
  - Screws are provided
- Replaces the expensive traditional method of bracing

## Material Composition

- Mill certified steel
- ASTM A653/A653M
- 33 mil
  - 33 ksi yield strength
  - 45 ksi tensile strength
  - G60 galvanized coating
- 54 mil
  - 57 ksi yield strength
  - 65 ksi tensile strength
  - G60 galvanized coating

## Quantity / Order Information

Part No.	Length	Qty / Bucket	Lbs / Bucket
BC237	2 3/8"	250	17
BC337	3 3/4"	250	24
BC575	5 3/4"	150	40
BC775	7 3/4"	100	36

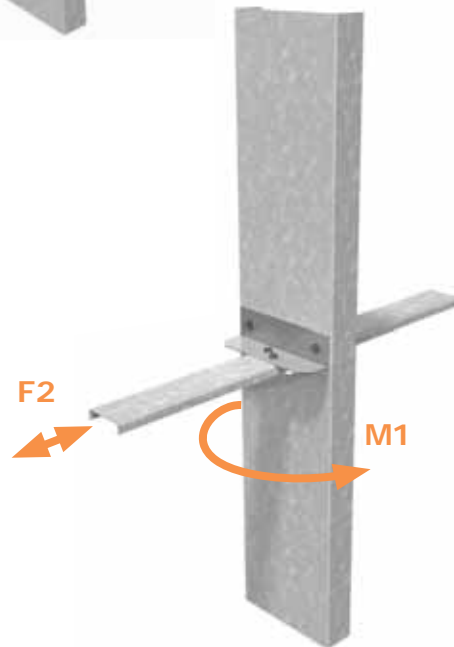
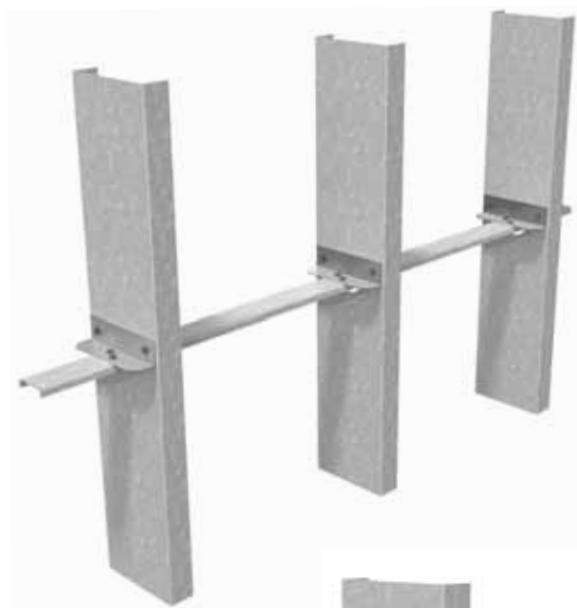
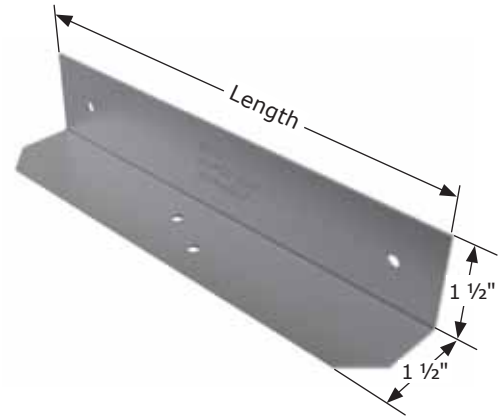
## Allowable Loads

Part No.	Min. Thickness		Fy (ksi)	2 #10 Screws*	
	Mil	Gauge		F2 (lbs)	M1 (lbs-in)
BC237	33	20	33	266	155
BC337	33	20	33	532	332
BC575	54	16	50	1068	1573
BC775	54	16	50	1068	2313

\*Allowable loads are based on the capacity of the clip and cold rolled channel attachment. Verify screw shear and pullout of stud.

### Table Notes

1. Allowable loads have not been increased for wind, seismic activity, or other factors.
2. The allowable loads are based on the steel properties of the members being connected, per AISI S100.
3. The nominal strength of the screw must be at least 3.75 times the allowable loads.
4. Values include a 3.0 factor of safety.



5. Penetration of screws through joined materials should not be less than three exposed threads. Install and tighten screws in accordance with the screw manufacturer's recommendations.
6. Allowable loads indicated on the table(s) are for force in single direction only. The designer shall use the combined forces check as required by AISI S100 if more than one force is applied to the connection.