

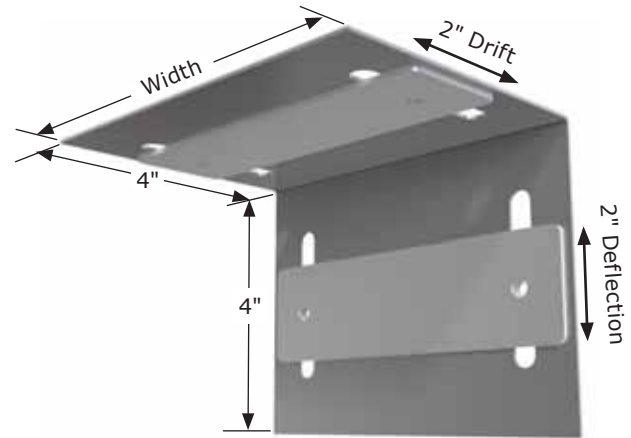
Product Application

The DISC interior head-of-wall multi-drift clip attaches the interior drywall stud to the top track, which is fastened to building structure. This clip allows for vertical deflection and lateral drift to prevent vertical load transfers into the wall.

The inserts are attached to the clip making installation quick, easy, and efficient. Clips come packaged in durable buckets for convenient handling on the jobsite.

Features and Benefits

- Insert allows for 2" total vertical deflection and 2" lateral drift
 - Deflection greater than 2" is available
- Loads based on #10 screws
 - Screws are provided
- Large insert piece for easy installation
- Pre-punched guide holes
- Transfers horizontal load into structure
- Provides positive attachment at each stud



Quantity / Order Information

Part No.	Width	Qty / Bucket	Lbs / Bucket
DISC237	2 3/8"	100	34
DISC337	3 3/8"	100	48
DISC550	5 1/2"	50	39
DISC750	7 1/2"	50	54

All DISC slide clips include inserts. Additional lengths available upon request.

Material Composition

- Mill certified steel
- ASTM A653/A653M
- Clip
 - 43 mil material thickness
 - 33 ksi yield strength
 - 45 ksi tensile strength
 - G60 galvanized coating
- Insert
 - 68 mil material thickness
 - 57 ksi yield strength
 - 65 ksi tensile strength
 - G90 galvanized coating

Allowable Loads

Part No.	Stud Properties			F1 Allowable Loads (lbs)	
	Mil	Gauge	Fy (ksi)	DISC237 2 #10 Screws*	DISC337 2 #10 Screws*
DISC	18	25	33	85	115
	D20	20	57	85	115
	30EQD	20	57	85	115
	30	20	33	85	115
	33EQS	20 (S)	57	85	115
	33	20 (S)	33	85	115
	43EQS	18	57	85	115
	43	18	33	85	115
	54	16	50	85	115
Maximum Allowable Clip Capacity				Max F1 = 85 lbs	Max F1 = 115 lbs

* Number of screws per insert

Part No.	Stud Properties			F1 Allowable Loads (lbs)	
	Mil	Gauge	Fy (ksi)	DISC550 2 #10 Screws*	DISC750 2 #10 Screws*
DISC	18	25	33	142	142
	D20	20	57	195	204
	30EQD	20	57	195	210
	30	20	33	195	210
	33EQS	20 (S)	57	195	210
	33	20 (S)	33	195	210
	43EQS	18	57	195	210
	43	18	33	195	210
	54	16	50	195	210
Maximum Allowable Clip Capacity				Max F1 = 195 lbs	Max F1 = 210 lbs

* Number of screws per insert

Table Notes

1. Allowable loads have not been increased for wind, seismic activity, or other factors.
2. The allowable loads are based on the steel properties of the members being connected, per AISI S100.
3. The nominal strength of the screw must be at least 3.75 times the allowable loads.
4. Penetration of screws through joined materials should not be less than three exposed threads. Install and tighten screws in accordance with the screw manufacturer's recommendations.
5. Screw shear capacities are based on allowable strength design (ASD) and include a safety factor of 3.0.
6. Allowable loads indicated on the table(s) are for force in single direction only. The designer shall use the combined forces check as required by AISI S100 if more than one force is applied to the connection.
7. The designer shall check the bending in the short leg of clip.

