

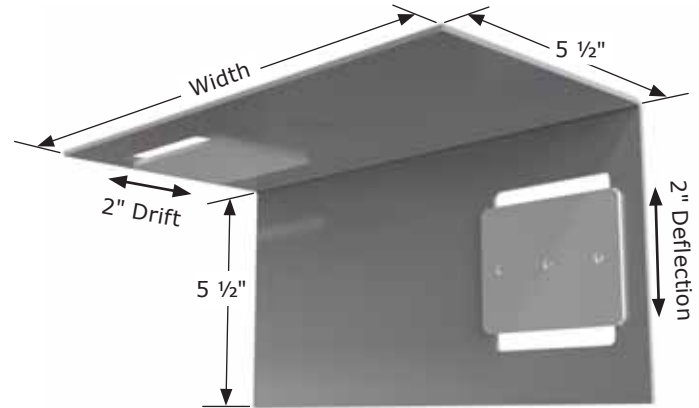
Product Application

The DPLS2 bypass slab slide strut secures the bypass curtain wall stud to the building structure, allowing for vertical deflection and lateral drift.

The inserts are attached to the strut making installation quick, easy, and efficient. Patent No. 7478508-B2.

Features and Benefits

- Insert allows for 2" total vertical deflection and 2" lateral drift
 - Deflection greater than 2" is available
- Loads based on #12 screws
- Large insert pieces for easy installation
- Pre-punched guide holes
- Transfers horizontal load into structure



Material Composition

- Mill certified steel
- ASTM A653/A653M
- Strut
 - 114 mil material thickness
 - 57 ksi yield strength
 - 65 ksi tensile strength
 - G90 galvanized coating
- Insert
 - 127 mil material thickness
 - 57 ksi yield strength
 - 65 ksi tensile strength
 - G90 galvanized coating

Quantity / Order Information

Part No.	Left / Right Handed	Width
DPLS2-1200	(L) or (R)	12"
DPLS2-1500	(L) or (R)	15"
DPLS2-1800	(L) or (R)	18"
DPLS2-2000	(L) or (R)	20"

All DPLS2 struts include inserts. Additional lengths available upon request.



Allowable Loads

Part No.	Stud Properties			F1 Allowable Loads (lbs)	
	Mil	Gauge	Fy (ksi)	2 #12 Screws*	3 #12 Screws*
DPLS2	33EQS	20	57	429	643
	33	20	33	377	565
	43EQS	18	57	677	1015
	43	18	33	561	841
	54	16	50	1139	1709
	68	14	50	1610	1950
	97	12	50	1950	1950
	118	10	50	1950	1950
Maximum Allowable Clip Capacity				Max F1 = 1950 lbs	

* Number of screws per insert

Table Notes

1. Allowable loads have not been increased for wind, seismic activity, or other factors.
2. Screw spacing and edge distance shall not be less than 3 x d (d=nominal screw diameter).
3. The allowable loads are based on the steel properties of the members being connected, per AISI Section E4.
4. When connecting materials of different thicknesses or tensile strength (Fu), the lowest applicable values should be used.
5. Screw shear capacities are based on allowable strength design (ASD) and include a safety factor of 3.0.
6. Penetration of screws through joined materials should not be less than three exposed threads. Install and tighten screws in accordance with the screw manufacturer's recommendations.
7. Applied loads may be multiplied by 3/4 for seismic or wind loading, per AISI Section A5.1.3
8. Loads are for attachment of DPLS2 drift strut to stud only.
9. The designer shall check the bending and the short leg of this clip and its connection to the structure members, depending on the direction of the forces.