

## Product Application

The HG secure header gusset plate is designed to provide a stiffened attachment of two individual members. Its unique design transfers the vertical load through a rigid connection that is stronger than traditional methods of construction.

The header gusset plate stiffens the header and jamb connection allowing the header to withstand larger load capacities and decrease the chance of web crippling.

## Features and Benefits

- Loads based on #10 screws
- Pre-punched guide holes
- Ledger tabs to hold header during installation
- Designed for multiple stud sizes and jamb configurations
- Replaces traditional labor intensive installation methods

## Material Composition

- Mill certified steel
- ASTM A653/A653M
- 43 mil
  - 33 ksi yield strength
  - 45 ksi tensile strength
  - G60 galvanized coating
- 68 mil
  - 57 ksi yield strength
  - 65 ksi tensile strength
  - G90 galvanized coating

## Quantity / Order Information

Part No.	Left / Right Handed	Qty / Bucket	Lbs / Bucket
HG-43	Universal	50	34
HG-68	Universal	30	32

HG secure plate is designed to accommodate all stud widths and flange heights and can be used on either side of the assembly.

## Allowable Loads

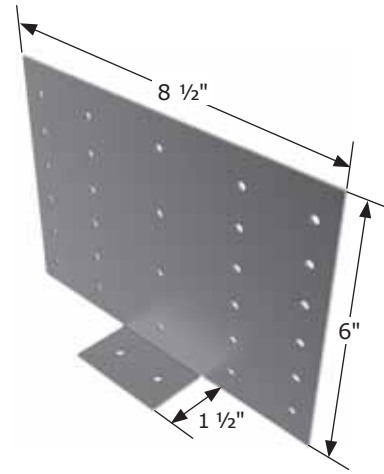
Part No.	Stud Properties			F3 Allowable Loads (lbs)				
	Mil	Gauge	Fy (ksi)	4 #10 Screws	6 #10 Screws	8 #10 Screws	10 #10 Screws	12 #10 Screws
HG-43 (43 mil)	33EQS	20	57	804	1206	1608	2010	2412
	33	20	33	707	1060	1414	1767	2120
	43EQS	18	57	1269	1904	2538	2980	2980
	43	18	33	1052	1578	2104	2630	2980
	54	16	50	1388	2082	2776	2980	2980
	68	14	50	1388	2082	2776	2980	2980
	97	12	50	1388	2082	2776	2980	2980
	118	10	50	1388	2082	2776	2980	2980
<b>Maximum Allowable Clip Capacity</b>				<b>Max F3 = 2980 lbs</b>				
Part No.	Stud Properties			F3 Allowable Loads (lbs)				
	Mil	Gauge	Fy (ksi)	4 #10 Screws	6 #10 Screws	8 #10 Screws	10 #10 Screws	12 #10 Screws
HG-68 (68 mil)	33EQS	20	57	804	1206	1608	2010	2412
	33	20	33	707	1060	1414	1767	2120
	43EQS	18	57	1269	1904	2538	3173	3808
	43	18	33	1052	1578	2104	2630	3156
	54	16	50	2136	3205	4273	5341	5375
	68	14	50	3021	4531	5375	5375	5375
	97	12	50	3170	4755	5375	5375	5375
	118	10	50	3170	4755	5375	5375	5375
<b>Maximum Allowable Clip Capacity</b>				<b>Max F3 = 5375 lbs</b>				

Loads based on single clip capacity

### Table Note

1. Allowable loads have not been increased for wind, seismic activity, or other factors.
2. Screw spacing and edge distance shall not be less than  $3 \times d$  (d=nominal screw diameter).
3. The allowable loads are based on the steel properties of the members being connected, per AISI Section E4.
4. When connecting materials of different thicknesses or tensile strength (Fu), the lowest applicable values should be used.

5. Attachment from the clip to the structural to be designed by others.
6. Values include a 3.0 factor of safety.
7. Applied loads may be multiplied by 0.75 for seismic or wind loading, per AISI Section A5.1.3
8. Penetration of screws through joined materials should not be less than three exposed threads. Install and tighten screws in accordance with the screw manufacturer's recommendations.



## Screw Pattern Configurations

Configurations shown below shall be installed on the left hand side when fastening to the jamb stud. Two additional screws shall always be installed in ledger tab.

