

## Product Application

The MB multi-use secure clip is used in a variety of different applications including head-of-wall, joist connections, securing hips, rafters and trusses, reinforcing header connections, and bridging. MB secure clips are designed to resist vertical and lateral loads.

Clips come packaged in durable buckets for easy handling on the jobsite.

## Features and Benefits

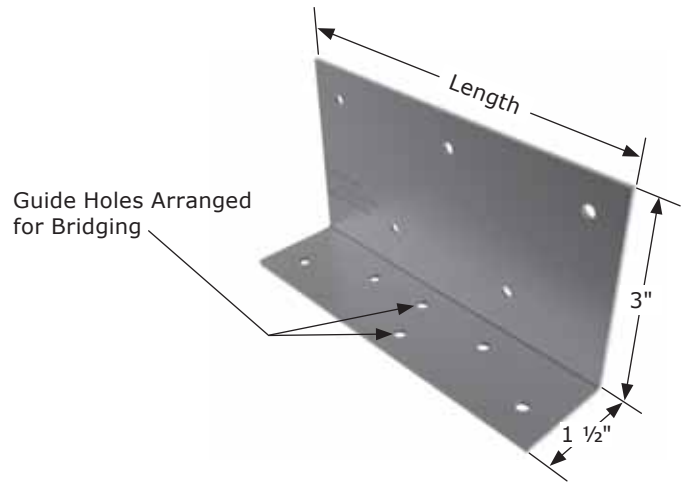
- Variety of lengths available
- Loads based on #10 screws
- Pre-punched guide holes
- No labor used cutting scrap or angle

## Material Composition

- Mill certified steel
- ASTM A653/A653M
- 54 mil
  - 57 ksi yield strength
  - 65 ksi tensile strength
  - G60 galvanized coating
- 68 mil
  - 57 ksi yield strength
  - 65 ksi tensile strength
  - G90 galvanized coating
- 97 mil
  - 57 ksi yield strength
  - 65 ksi tensile strength
  - G90 galvanized coating

## Quantity / Order Information

Part No.	Length	Qty / Bucket	Lbs / Bucket
MB200-54	2"	200	28
MB200-68	2"	200	35
MB200-97	2"	200	50
MB350-54	3 1/2"	100	25
MB350-68	3 1/2"	100	31
MB350-97	3 1/2"	100	44
MB550-54	5 1/2"	100	38
MB550-68	5 1/2"	100	48
MB550-97	5 1/2"	75	51
MB750-54	7 1/2"	75	39
MB750-68	7 1/2"	75	49
MB750-97	7 1/2"	50	47
MB950-54	9 1/2"	50	33
MB950-68	9 1/2"	50	42
MB950-97	9 1/2"	35	42



**Joist Connection**

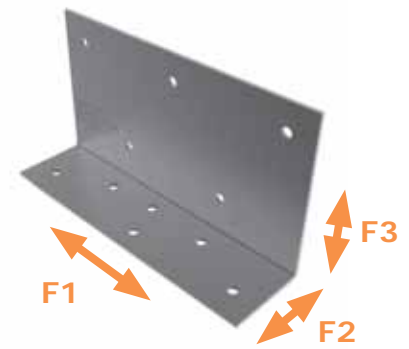


**Load Bearing Head-of-Wall**



Part No.	Stud Properties			F1 Allowable Loads (lbs)	F2 Allowable Loads (lbs)	F3 Allowable Loads (lbs)
	Mil	Gauge	Fy (ksi)	2 #10 Screws	2 #10 Screws	2 #10 Screws
MB200	33EQS	20	57	402	206	206
	33	20	33	353	168	168
	43EQS	18	57	635	280	280
	43	18	33	526	219	219
	54	16	50	1068	396	396
	68 <sup>1</sup>	14	50	1510	499	499
	97 <sup>1</sup>	12	50	1610	712	712
<b>Maximum Allowable Clip Capacity</b>				<b>Max F1 = 1610 lbs</b>	<b>Max F2 = 725 lbs</b>	<b>Max F3 = 725 lbs</b>

<sup>1</sup> Clip thickness shall match the stud thickness



Part No.	Stud Properties			F1 Allowable Loads (lbs)		F2 Allowable Loads (lbs)		F3 Allowable Loads (lbs)	
	Mil	Gauge	Fy (ksi)	2 #10 Screws	3 #10 Screws	2 #10 Screws	3 #10 Screws	2 #10 Screws	3 #10 Screws
MB350	33EQS	20	57	402	603	206	310	206	310
	33	20	33	353	530	168	251	168	251
	43EQS	18	57	635	952	280	420	280	420
	43	18	33	526	789	219	328	219	328
	54	16	50	1068	1602	396	594	396	594
	68 <sup>1</sup>	14	50	1510	2266	499	749	499	749
	97 <sup>1</sup>	12	50	2261	2420	712	965	712	965
<b>Maximum Allowable Clip Capacity</b>				<b>Max F1 = 2420 lbs</b>		<b>Max F2 = 965 lbs</b>		<b>Max F3 = 965 lbs</b>	

<sup>1</sup> Clip thickness shall match the stud thickness

Part No.	Stud Properties			F1 Allowable Loads (lbs)			F2 Allowable Loads (lbs)			F3 Allowable Loads (lbs)		
	Mil	Gauge	Fy (ksi)	2 #10 Screws	4 #10 Screws	5 #10 Screws	2 #10 Screws	4 #10 Screws	5 #10 Screws	2 #10 Screws	4 #10 Screws	5 #10 Screws
MB550	33EQS	20	57	402	804	1005	206	413	516	206	413	516
	33	20	33	353	707	884	168	335	419	168	335	419
	43EQS	18	57	635	1269	1587	280	560	700	280	560	700
	43	18	33	526	1052	1315	219	437	547	219	437	547
	54	16	50	1068	2136	2671	396	792	855	396	792	855
	68 <sup>1</sup>	14	50	1510	2980	2980	499	855	855	499	855	855
	97 <sup>1</sup>	12	50	2261	2980	2980	712	855	855	712	855	855
<b>Maximum Allowable Clip Capacity</b>				<b>Max F1 = 2980 lbs</b>			<b>Max F2 = 855 lbs</b>			<b>Max F3 = 855 lbs</b>		

<sup>1</sup> Clip thickness shall match the stud thickness

Part No.	Stud Properties			F1 Allowable Loads (lbs)			F2 Allowable Loads (lbs)			F3 Allowable Loads (lbs)		
	Mil	Gauge	Fy (ksi)	2 #10 Screws	4 #10 Screws	7 #10 Screws	2 #10 Screws	4 #10 Screws	7 #10 Screws	2 #10 Screws	4 #10 Screws	7 #10 Screws
MB750	33EQS	20	57	402	804	1407	206	413	722	206	413	722
	33	20	33	353	707	1237	168	335	597	168	335	597
	43EQS	18	57	635	1269	2221	280	560	980	280	560	980
	43	18	33	526	1052	1841	219	437	765	219	437	765
	54	16	50	1068	2136	3739	396	792	1387	396	792	1387
	68 <sup>1</sup>	14	50	1510	3021	5286	499	998	1740	499	998	1740
	97 <sup>1</sup>	12	50	2261	4521	6100	712	1424	1740	712	1424	1740
<b>Maximum Allowable Clip Capacity</b>				<b>Max F1 = 6100 lbs</b>			<b>Max F2 = 1740 lbs</b>			<b>Max F3 = 1740 lbs</b>		

<sup>1</sup> Clip thickness shall match the stud thickness

Part No.	Stud Properties			F1 Allowable Loads (lbs)			F2 Allowable Loads (lbs)			F3 Allowable Loads (lbs)		
	Mil	Gauge	Fy (ksi)	2 #10 Screws	5 #10 Screws	9 #10 Screws	2 #10 Screws	5 #10 Screws	9 #10 Screws	2 #10 Screws	5 #10 Screws	9 #10 Screws
MB950	33EQS	20	57	402	1005	1809	206	516	929	206	516	929
	33	20	33	353	884	1590	168	419	754	168	419	754
	43EQS	18	57	635	1587	2856	280	700	1260	280	700	1260
	43	18	33	526	1315	2367	219	547	984	219	547	984
	54	16	50	1068	2671	4807	396	991	1740	396	991	1740
	68 <sup>1</sup>	14	50	1510	3776	6100	499	1248	1740	499	1248	1740
	97 <sup>1</sup>	12	50	2261	5652	6100	712	1740	1740	712	1740	1740
<b>Maximum Allowable Clip Capacity</b>				<b>Max F1 = 6100 lbs</b>			<b>Max F2 = 1740 lbs</b>			<b>Max F3 = 1740 lbs</b>		

<sup>1</sup> Clip thickness shall match the stud thickness

### Table Notes

1. Allowable loads have not been increased for wind, seismic activity, or other factors.
2. The allowable loads are based on the steel properties of the members being connected, per AISI S100.
3. The nominal strength of the screw must be at least 3.75 times the allowable loads.
4. Values include a 3.0 factor of safety.
5. Penetration of screws through joined materials should not be less than three exposed threads. Install and tighten screws in accordance with the screw manufacturer's recommendations.
6. Allowable loads indicated on the table(s) are for force in single direction only. The designer shall use the combined forces check as required by AISI S100 if more than one force is applied to the connection.