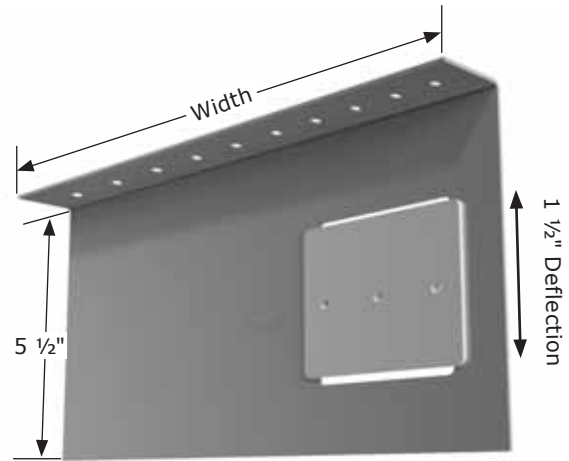


Product Application

The PLS2 bypass slab slide strut secures the bypass curtain wall stud to the building structure, allowing for vertical deflection while maintaining lateral rigidity. The strut provides a non-frictional connection and prevents vertical load transfer into the curtain wall.

The insert is attached to the clip making installation quick, easy, and efficient. Struts 12" in length or less come packaged in durable buckets for convenient handling on the jobsite. Patent No. 7478508-B2



Features and Benefits

- Insert allows for 1 1/2" total vertical deflection
 - Deflection greater than 1 1/2" is available
- Loads based on #12 screws
 - Screws are provided
- Large insert piece for easy installation
- Pre-punched guide holes
- Thicker steel for improved weld capacity to the structure
- Transfers horizontal load into structure
- Maintains lateral rigidity
- Eliminates bridging within 12" of support connection

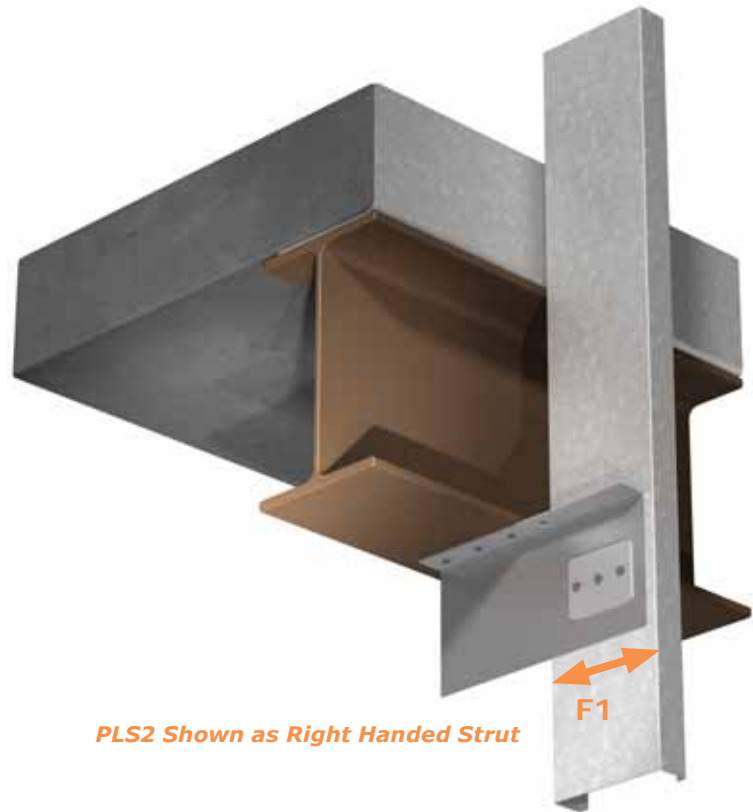
Material Composition

- Mill certified steel
- ASTM A653/A653M
- Clip
 - 114 mil material thickness
 - 57 ksi yield strength
 - 65 ksi tensile strength
 - G90 galvanized coating
- Insert
 - 127 mil material thickness
 - 57 ksi yield strength
 - 65 ksi tensile strength
 - G90 galvanized coating

Quantity / Order Information

Part No.	Left / Right Handed	Width	Qty / Bucket	Lbs / Bucket
PLS2-900	(L) or (R)	9"	20	53
PLS2-1200	(L) or (R)	12"	15	51
PLS2-1500	(L) or (R)	15"	-	-
PLS2-1800	(L) or (R)	18"	-	-
PLS2-2000	(L) or (R)	20"	-	-

All PLS2 struts include insert. Additional lengths available upon request.



PLS2 Shown as Right Handed Strut

Allowable Loads

Part No.	Stud Properties			F1 Allowable Loads (lbs)	
	Mil	Gauge	Fy (ksi)	2 #12 Screws	3 #12 Screws
PLS2	33EQS	20	57	429	643
	33	20	33	377	565
	43EQS	18	57	677	1015
	43	18	33	561	841
	54	16	50	1139	1709
	68	14	50	1610	2275
	97	12	50	2275	2275
	118	10	50	2275	2275
Maximum Allowable Clip Capacity				Max F1 = 2275 lbs	

Table Notes

1. Allowable loads have not been increased for wind, seismic activity, or other factors.
2. The allowable loads are based on the steel properties of the members being connected, per AISI S100.
3. The nominal strength of the screw must be at least 3.75 times the allowable loads.
4. Penetration of screws through joined materials should not be less than three exposed threads. Install and tighten screws in accordance with the screw manufacturer's recommendations.
5. Screw shear capacities are based on allowable strength design (ASD) and include a safety factor of 3.0.
6. Allowable loads indicated on the table(s) are for force in single direction only. The designer shall use the combined forces check as required by AISI S100 if more than one force is applied to the connection.
7. The designer shall check the bending in the short leg of clip.